

Technical data sheet

Product features



Folding pelvis

Model	SAP Code	00014509
--------------	-----------------	----------



- Bottom material: Stainless steel - suitable for cooking, easy maintenance
- Bottom thickness: 12.00
- Usable volume [l]: 50
- Tilting: Motorised
- Filling: Mechanical cock
- Type of pan: Tilting
- Protection of controls: IP24
- Service accessibility: Trough the frontal panel

SAP Code	00014509	Power electric [kW]	10.500
Net Width [mm]	800	Loading	400 V / 3N - 50 Hz
Net Depth [mm]	730	Bottom material	Stainless steel - suitable for cooking, easy maintenance
Net Height [mm]	900	Usable volume [l]	50
Net Weight [kg]	157.40	Tilting	Motorised

Technical data sheet

Technical drawing

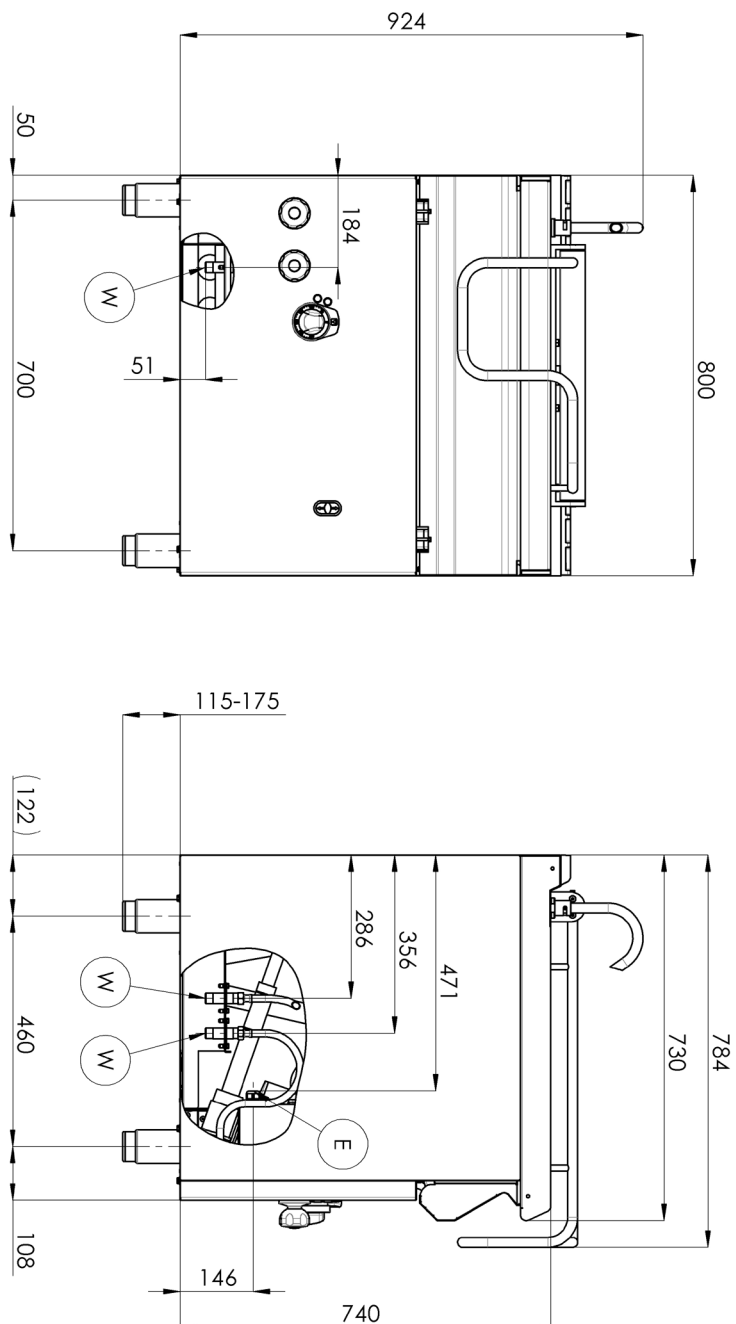


Folding pelvis

Model

SAP Code

00014509



Technical data sheet

Technical parameters



Folding pelvis

Model

SAP Code

00014509

1. SAP Code:

00014509

2. Net Width [mm]:

800

3. Net Depth [mm]:

730

4. Net Height [mm]:

900

5. Net Weight [kg]:

157.40

6. Gross Width [mm]:

840

7. Gross depth [mm]:

800

8. Gross Height [mm]:

180

9. Gross Weight [kg]:

167.50

10. Device type:

Electric unit

11. Construction type of device:

Stationary

12. Power electric [kW]:

10.500

13. Loading:

400 V / 3N - 50 Hz

14. Protection of controls:

IP24

15. Device color:

Stainless steel

16. Material:

AISI 304 top plate and cladding

17. Indicators:

operation and warm-up

18. Worktop type:

Molded - comfortable cleaning maintenance

19. Worktop material:

AISI 304

20. Worktop Thickness [mm]:

1.50

21. Maximum device temperature [°C]:

300

22. Minimum device temperature [°C]:

50

23. Service accessibility:

Trough the frontal panel

24. Safety thermostat:

Yes

25. Adjustable feet:

Yes

26. Tilting:

Motorised

27. Bottom thickness:

12.00

28. Bottom material:

Stainless steel - suitable for cooking, easy maintenance

Technical data sheet

Technical parameters



Folding pelvis

Model

SAP Code

00014509

29. Type of pan:

Tilting

31. Filling:

Mechanical cock

30. Usable volume [l]:

50

32. Water filling type:

Both cold and warm